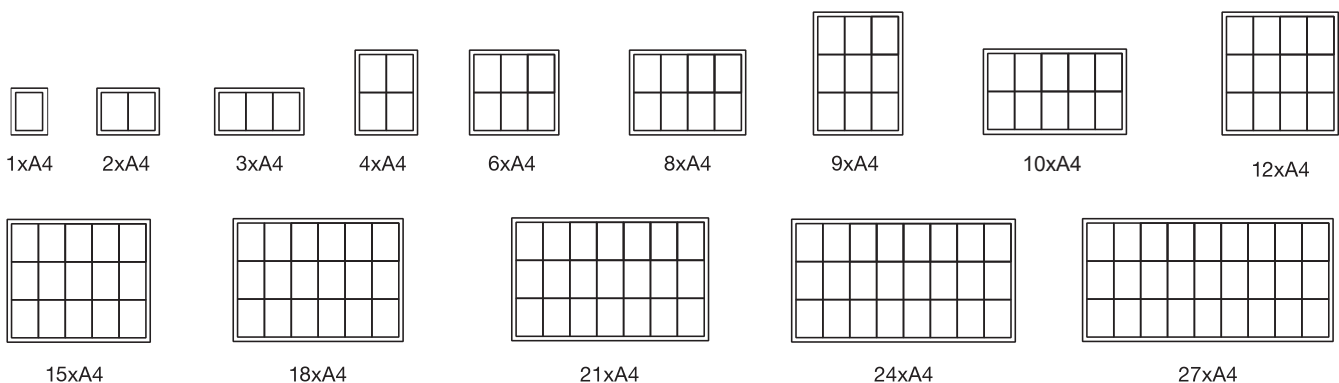


# LOCKABLE NOTICE BOARDS OVERVIEW

Lockable Notice Boards are secure display units designed to hold and present public messages, announcements and advertisements. Equipped with durable locking mechanisms, these boards ensure that your displayed content stays secure and tamper-proof.

Our range features a variety of anodised aluminium profiles, with notice boards suitable for both indoor and outdoor use. Available in sizes from 1 x A4 to 27 x A4, they are made from durable, fire-retardant materials, ensuring a reliable and stylish way to display important information. Lockable Notice Boards can also be customised with RAL colours and printed headers on request, allowing greater flexibility to suit your needs. Each board includes lockable front panels and comes with two keys per lock for enhanced security.

These versatile boards are ideal for schools, offices, community centres, hospitals, and other public spaces. They are perfect for displaying important notices, schedules, event details, or any information that needs to be prominently and securely displayed.



## LOCKABLE NOTICE BOARDS VS POSTER CASE

Lockable Notice Boards and poster cases may look alike and are occasionally used for similar purposes, but they differ in function and design.

### Lockable Notice Boards

- Sizes follow DIN paper standards
- Extensive range of sizes
- Magnets used to secure paper in place
- Writable metal or cork backwall
- Larger inside depth: 23 mm to 68 mm
- Available in silver, black or anthracite
- Safety corner option available for extra protection

### Poster case

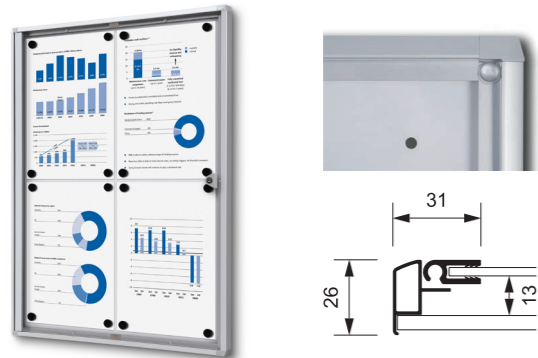
- Size to fit individual posters (e.g. A0 / A1)
- Limited size options available
- Includes poster fixing
- Metal or plastic backwall
- Slimmer internal depth: 4mm to 20mm
- Available in silver or silver with a black front
- Always features mitred corners

## ACCESSORIES



## BASIC / INDOOR

### BESTSELLER



#### INDOOR LOCKABLE SHOWCASE ECONOMY **SCXS** ✓

Sizes: 1 x A4 2 x A4 3 x A4 4 x A4  
6 x A4 8 x A4 9 x A4 12 x A4

Colours: ● ●  
Magnetic writable or cork backwall  
Optional B1 fire-rated  
Simple construction  
Most cost-effective model  
Type of lock ●

### BESTSELLER

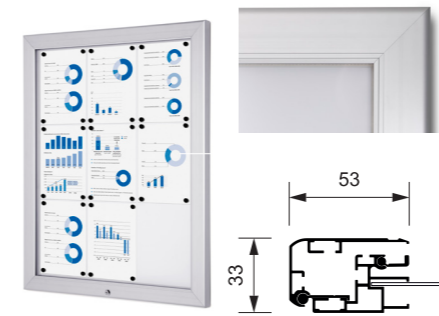


#### INDOOR LOCKABLE SHOWCASE **SCS** 🍷

Sizes: 2 x A4 3 x A4 4 x A4 6 x A4  
8 x A4 9 x A4 12 x A4

Colours: ● ● ●  
Magnetic writeable backwall  
Optional B1 fire-rated  
Superior construction compared to SCXS  
Gasket for added backwall sealing  
Type of lock ●

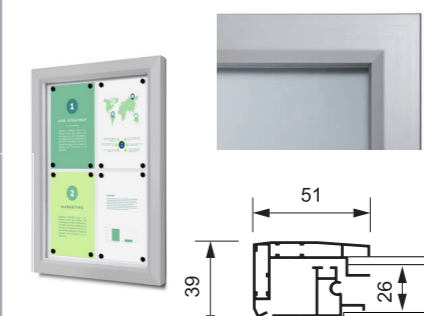
## CLASSIC / OUTDOOR



#### OUTDOOR LOCKABLE SHOWCASE **ALPHA SCA** ✓

Sizes: 4 x A4 6 x A4 8 x A4  
9 x A4 12 x A4 15 x A4  
18 x A4

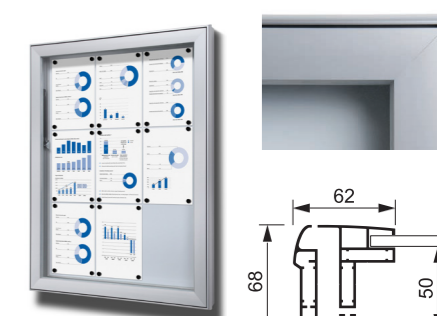
Colours: ●  
For covered outdoor use  
With white magnetic back wall  
40 mm internal depth  
3 mm safety PETG door  
Most cost-effective model  
Type of lock ●



#### OUTDOOR LOCKABLE SHOWCASE **SLIM SCTE** 🍷

Sizes: 4 x A4 6 x A4 8 x A4  
9 x A4 12 x A4

Colours: ● ●  
Magnetic writeable backwall  
B1 fire-rated  
Tailored for schools and municipalities  
4 mm ESG safety glass  
IP56-rated  
Economy version of the SCT with smaller profiles  
Type of lock ●



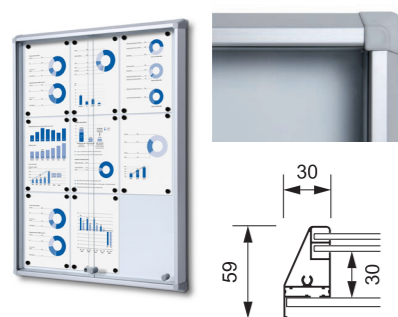
#### OUTDOOR LOCKABLE SHOWCASE **EXTRA DEEP SCL** 🍷

Sizes: 6 x A4 8 x A4 9 x A4  
12 x A4 15 x A4 18 x A4  
21 x A4 24 x A4 27 x A4

Colours: ●  
Magnetic writeable backwall  
Tailored for schools and municipalities  
4 mm ESG safety glass  
IP54-rated  
Greater internal depth (50 mm)  
Type of lock ●



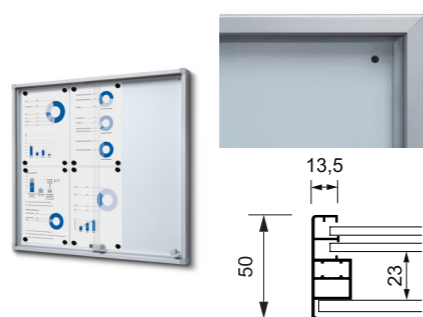
## SLIDING DOORS / INDOOR



#### INDOOR LOCKABLE SHOWCASE **WITH SLIDING DOORS SCSL** 🍷

Sizes: 6 x A4 8 x A4 9 x A4  
10 x A4 12 x A4 15 x A4  
18 x A4 21 x A4 24 x A4

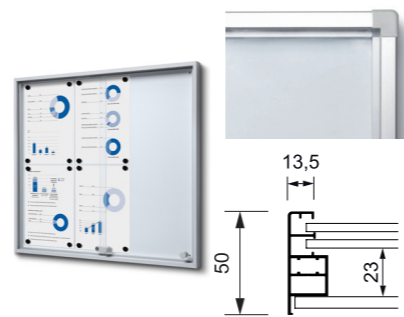
Colours: ●  
Magnetic writeable backwall  
B1 fire-rated  
Tailored for schools and municipalities  
4 mm ESG safety glass  
Includes safety corners  
Greater internal depth (30 mm)  
Type of lock ●



#### INDOOR LOCKABLE SHOWCASE **WITH SLIDING DOORS SLIM SCSLG** 🍷

Sizes: 6 x A4 8 x A4 10 x A4  
12 x A4 15 x A4 18 x A4  
21 x A4 24 x A4

Colours: ● ●  
Magnetic writeable backwall  
B1 fire-rated  
4 mm ESG safety glass  
Type of lock ●

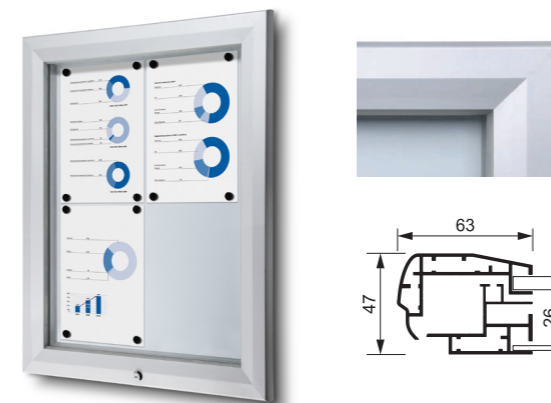


#### INDOOR LOCKABLE SHOWCASE **WITH SLIDING DOORS SLIM WITH SAFETY CORNERS SCSLR** 🍷

Sizes: 6 x A4 8 x A4 10 x A4  
12 x A4 15 x A4 18 x A4  
21 x A4 24 x A4

Colours: ●  
Magnetic writeable backwall  
B1 fire-rated  
Tailored for schools and municipalities  
4 mm ESG safety glass  
Includes safety corners  
Type of lock ●

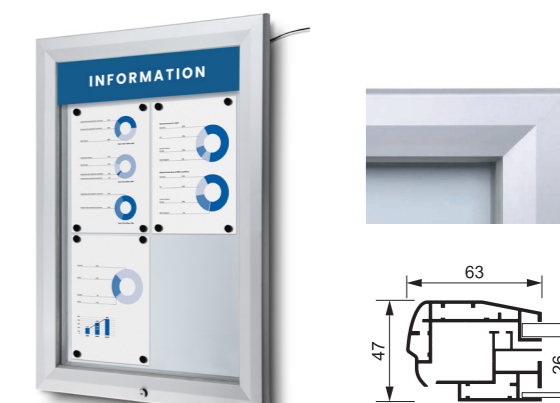
### BESTSELLER



#### OUTDOOR LOCKABLE SHOWCASE **SCT** 🏆

Sizes: 4 x A4 6 x A4 8 x A4  
9 x A4 12 x A4 15 x A4  
18 x A4 21 x A4 24 x A4  
27 x A4

Colours: ● ● ●  
Magnetic writeable backwall  
B1 fire-rated  
4 mm ESG safety glass  
IP56-rated  
Type of lock ●



#### OUTDOOR LOCKABLE SHOWCASE **ILLUMINATED LOGO SCTPHLED** 🏆

Sizes: 4 x A4 6 x A4 8 x A4  
9 x A4 12 x A4 15 x A4  
18 x A4 21 x A4 24 x A4  
27 x A4

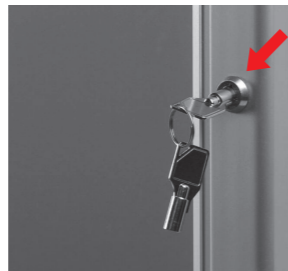
Colours: ●  
Magnetic writeable backwall  
B1 fire-rated  
4 mm ESG safety glass  
IP56-rated  
Includes LED lighting and topcard holder  
Type of lock ●



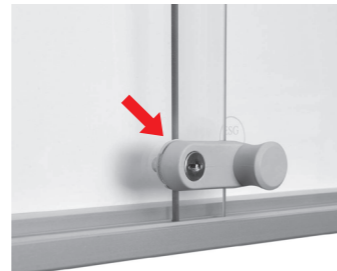
● SCXS



● SCS / SCA / SCT / SCPX / SCTL



● SCP



● SCSL / SCSLG / SCSLR



● SCEOS



● SCG / SCTE



● SCL

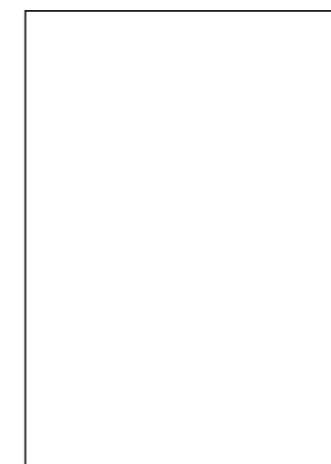
The locks are available as spare parts and always come as a set, which includes the lock and two keys.

# POSTER CASE OVERVIEW

Poster cases are specialised display units designed to securely hold and present a single poster, making them ideal for showcasing advertisements, event promotions, or important messages. Unlike showcases, poster cases are specifically tailored to fit standard poster sizes such as A0 or A1, and include built-in poster fixing mechanisms to ensure your poster stays perfectly in place.

Poster cases are ideal for environments where you need to display posters both securely and attractively. They are commonly used in cinemas, retail stores, shopping centres, public transport hubs, and event venues. Their slim design and secure mounting make them perfect for locations with limited space or where posters need to be updated frequently while maintaining a neat and professional look.

Whether you're advertising an event, promoting a product, or sharing important information, poster cases provide a practical and stylish way to display your posters securely and attractively. Some models even feature LED lighting options to make your message stand out. Additionally, poster cases can be customised with RAL paint colours and non-standard sizes upon request (excluding models with glass fronts).



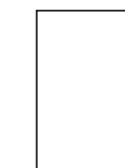
A0 (841 x 1189 mm)



A1 (594 x 840 mm)



A2 (420 x 594 mm)



A3 (297 x 420 mm)



A4 (210 x 297 mm)

## LOCKABLE NOTICE BOARDS VS POSTER CASE

Lockable Notice Boards and poster cases may look alike and are occasionally used for similar purposes, but they differ in function and design.

### Lockable Notice Boards

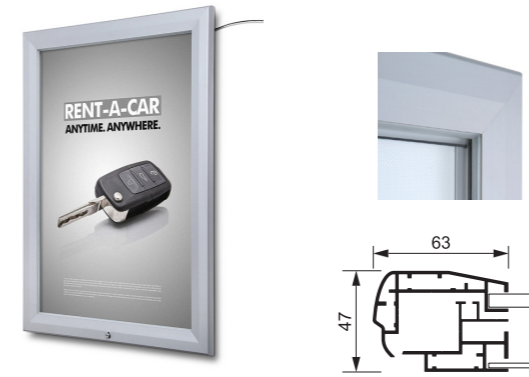
- Sizes follow DIN paper standards
- Extensive range of sizes
- Magnets used to secure paper in place
- Writable metal or cork backwall
- Larger inside depth: 23 mm to 68 mm
- Available in silver, black or anthracite
- Safety corner option available for extra protection

### Poster case

- Size to fit individual posters (e.g. A0 / A1)
- Limited size options available
- Includes poster fixing
- Metal or plastic backwall
- Slimmer internal depth: 4mm to 20mm
- Available in silver or silver with a black front
- Always features mitred corners

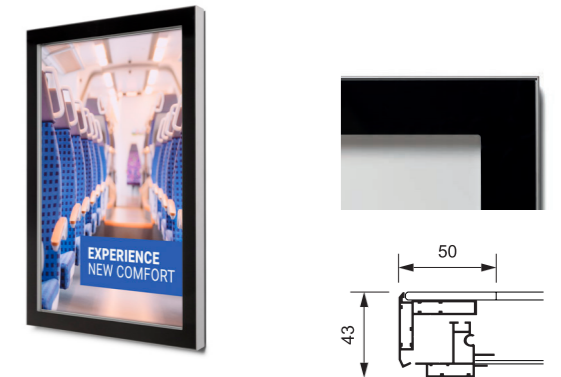


EXCLUSIVE / OUTDOOR



LED OUTDOOR POSTER CASE **SCTL** 🍷 🏆

Sizes: A1 A0 70 x 100 cm 100 x 140 cm  
 Colours: ●  
 Magnetic backwall  
 B1 fire-rated  
 4 mm ESG safety glass  
 IP56-rated  
 LED illuminated  
 Including poster fixing\*  
 Type of lock ●



OUTDOOR PREMIUM POSTER CASE SLIM **SCG** 🍷

Sizes: A3 A2 A1 50 x 70 cm 70 x 100 cm  
 Colours: ●  
 Magnetic writeable backwall  
 B1 fire-rated  
 4 mm ESG safety glass  
 IP56-rated  
 Includes poster fixing\*  
 Type of lock ●

BUDGET / INDOOR

BASIC / COVERED OUTDOOR

BESTSELLER



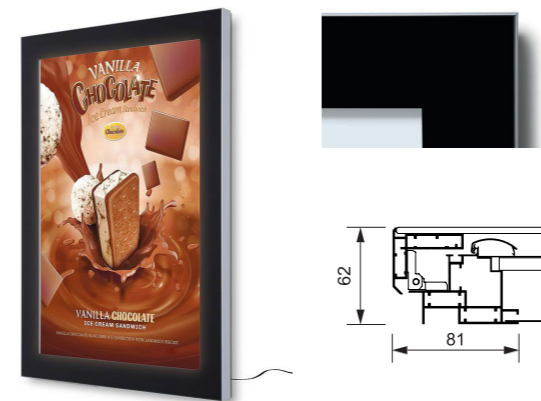
LOCKABLE POSTER CASE ECONOMY **SCP** ✓

Sizes: A4 A3 A2 A1 A0  
 50 x 70 cm 70 x 100 cm  
 Colours: ●  
 Plastic backwall  
 Includes poster fixing\*  
 Most cost-effective poster case  
 Type of lock ●



LOCKABLE POSTER CASE WITH GALVANISED BACKWALL **SCPX** 🍷

Sizes: A4 A3 A2 A1 A0  
 50 x 70 cm 70 x 100 cm  
 Colours: ●  
 Magnetic backwall  
 Includes poster fixing\*  
 Larger profile offering greater stability than SCP  
 Suitable for covered outdoor (with form of overhead protection) due to integrated gaskets  
 Type of lock ●



LED OUTDOOR PREMIUM POSTER CASE **SCEOS** 🍷 🏆

Sizes: A1 A0 70 x 100 cm 120 x 180 cm  
 Colours: ●  
 Magnetic backwall  
 B1 fire-rated  
 4 mm ESG safety glass  
 IP56-rated  
 LED illuminated  
 Includes poster fixing\*  
 Type of lock ●

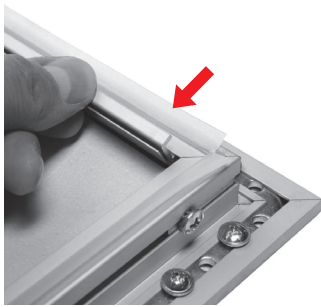


LED OUTDOOR PREMIUM POSTER CASE FREESTANDING **SCEOSD** 🍷 🏆

Sizes: A0 120 x 180 cm  
 Colours: ●  
 Magnetic backwall  
 4 mm ESG safety glass  
 IP56-rated  
 LED illuminated  
 Includes poster fixing\*  
 Type of lock ●

\*Poster fixing options see page 8

## POSTER FIXING



**SCPX**  
Neodyme magnets rail



**SCG**  
Neodyme magnets rail



**SCP**  
Simple wire holders



**SCEOS**  
25 mm snap profile



**SCTL**  
Silicone edge